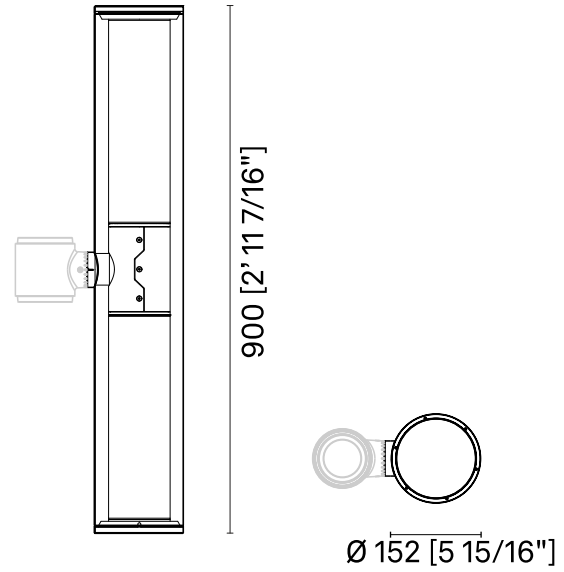


Nebula Venezia | Luminaire



Ordering Information / Guide

Example: **LUNEBV0-U-D03-830-L015-SP-V0-F35-MU-CGT**

| Optique | Ra+K | Luminous flux | Screen finish | Power supply | Driver Function | ISO Class | Finish |
|---------------------------------|---------------------------|------------------------|--------------------------|------------------------|-------------------------|-----------------|---|
| D29 Medium wide flood | 827 Ra80 2700 K | L010 1000 lm | ST Transparent | V0 120V-277V | F35 0-10V+CLO | MU UL | CGT Gray [RAL 9006] TXT + Clear ribbed |
| D69 Wide flood | 830 Ra80 3000 K | L015 1500 lm | SP Prismatic | | | | |
| D33 Flood | 840 Ra80 4000 K | L025 2500 lm | | | | | |
| D16 Flood | | | | | | | |
| D01 T1 | | | | | | | |
| D03 T2 | | | | | | | |
| D11 T4 | | | | | | | |
| D14 T5 | | | | | | | |

Generated code: **LUNEBV0 - U** - _____

Nebula Venezia | Luminaire

ELECTRICAL CHARACTERISTICS

Cable length 29.528 ft
Cable type 5GAWG18 SJTW

INSTALLATION

Tilt-adjustable joint.
Continuous adjustment with no fixed steps.
Secured by four M8 stainless steel set screws with locknuts.

WARNINGS

Luminaire designed for disposal/recycling at end-of-life.
Replaceable (LED only) light source by a professional.
Replaceable control gear by a professional.
Protection of surfaces: please refer to the specification on painting procedures of the materials.